

ULTICAP Filter



Descriptions

- Disposable pleated filter in a polypropylene shell
- Replace is simple by using the Sanitary Ferrule 1S Clamp
- The space can be minimized since capsule serves as the housing.

Application

- Sterile filtration : Bio-process, SVP, LVP, WFI, Cosmetics, API, Air vent
- Coating applications
- Paint, inks and pastes filtration
- Slurry filtration
- F&B : Mineral Water, Beverage, Winery, Brewery

Materials

Media	Polypropylene Nylon66 / PES / PTFE
Support/Drainage	Polypropylene
Core/Cage	Polypropylene
Capsule	Polypropylene
Vent Valve	Polypropylene
Vent O-ring	EPDM / Silicon / Viton*

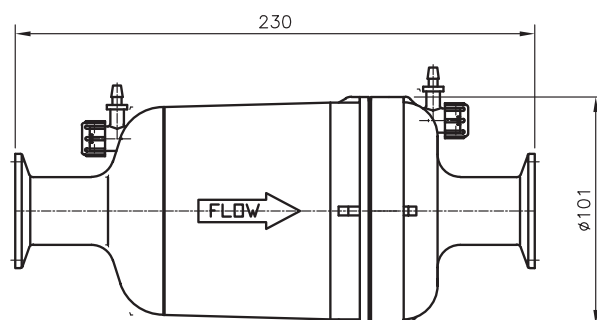
* Viton and Teflon are trademarks of DuPont

Specifications

Type	High Performance Capsule
Removal Range	Refer to standard grade
Length [inch]	5
IN / OUT	Sanitary Ferrule 1S Clamp
Air vent/Drain	1/4" Hose Barb
Max. Temperature	80°C
Max. Pressure	5.0bar @ 25°C

* If you need further information on specification, please contact us

Dimensions

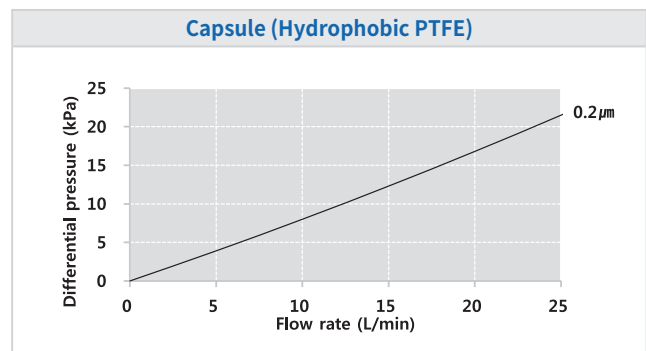
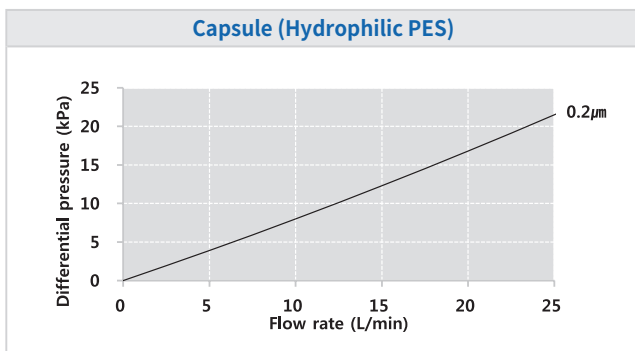


ULTICAP Filter

Sterilizing grade filter

100% Integrity test	PES 0.2µm membrane : Bubble point > 40psi PTFE 0.2µm membrane : Water Intrusion test < 1.0mℓ/min at 36psi
Bacterial retention	10 ⁷ CFU/cm ³ Brevundimonas diminuta
Bacterial Endotoxin	< 0.25EU/mℓ
Toxicity	USP Class VI, General Safety
Sterilization	3 Autoclave cycle of 30min / 134°C

Pressure Drop vs Flow Rate (ULTICAP, Water 20°C)



Ordering Information

Hydrophilic PES				Hydrophobic PTFE							
<div style="display: flex; justify-content: space-around;"> 1 FSIP 2 3 4 5 6 </div> ※ Effective Area : 0.4m ²				<div style="display: flex; justify-content: space-around;"> 1 FTFP 2 3 4 5 6 </div> ※ Effective Area : 0.4m ²				<div style="display: flex; justify-content: space-around;"> 1 FTFM 2 3 4 5 6 </div> ※ Effective Area : 0.2m ²			
No. 1		No. 2		No. 3		No. 4		No. 6			
Code	Grade	Code	Micron Rating	Code	Fitting	Code	Length	Code	Special Option		
E	Electronic	02	0.2µm	U	Sanitary Ferrule 1S Clamp	5	5"	V	Vacuum Package		
P	Pharmaceutical										
F	Food & Beverage										
Blank	Others										
						No. 5					
						Code	Length				
						E	EPDM				
						S	Silicone				
						V	Viton				